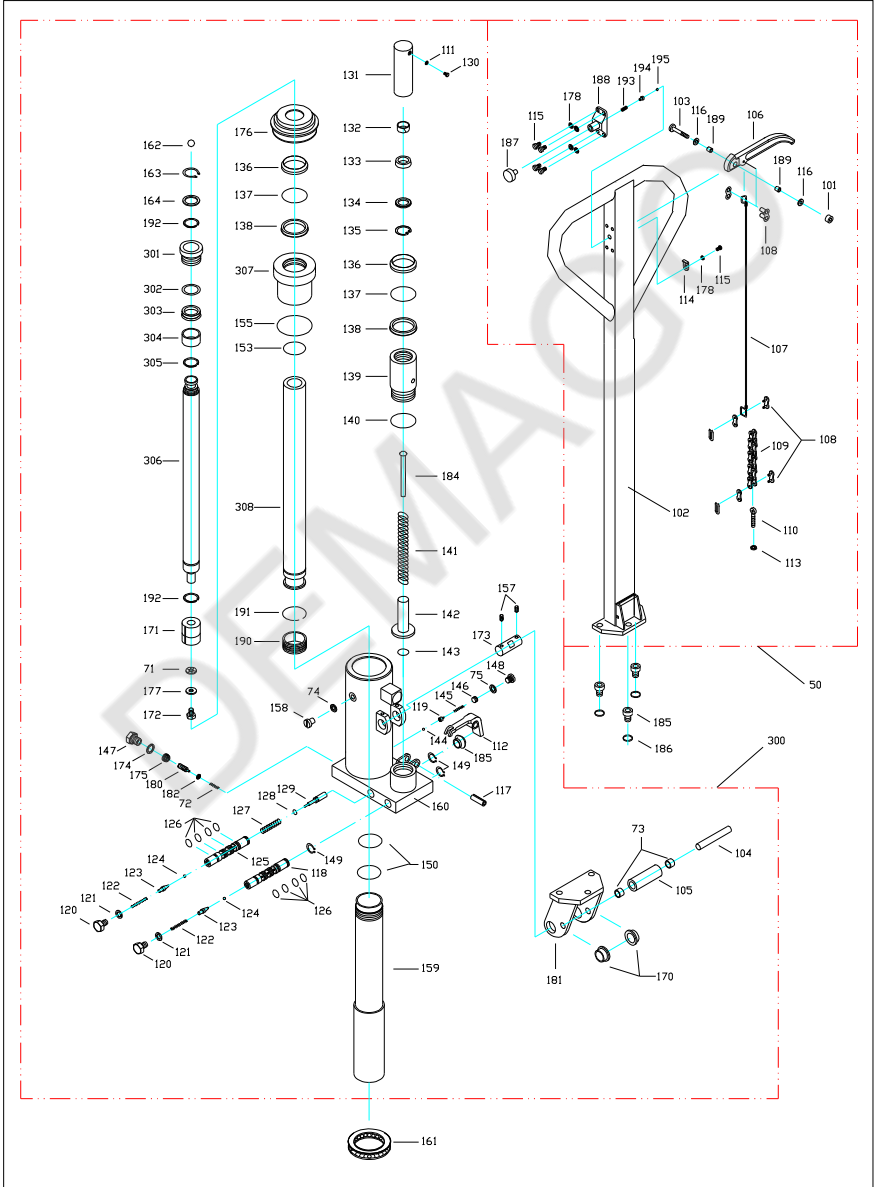


## Parts List

No.	Description	Qt'y	No.	Description	Qt'y
1	Fork	1	18	Washer	2
2	Screw	1	19	Nut	2
3	Nut	1	20	Washer	8
4	Power Unit	1	21	Ball Bearing	8
5	Hold Yoke	1	22	Front Wheel	2
6	Wheel Yoke	1	23	Wheel Axle	2
7	Centrifugal Axle	2	24	Roller	4
8	Spacer	2	25	Bush	2
9	Steering Wheel	2	26	Washer	4
10	Snap Ring	8	27	Spring Washer	2
11	Pin	2	28	Nut	2
12	Snap Ring	12	31	Screw	1
13	Bush	2	32	Nut	1
14	Leg	2	30	Steering Wheel Assembly (incls.6,9,10,21、 31、 32)	1
15	Leg	1			
16	Bush	2			
17	Pin	2			



## Parts list

Part No.	DESCRIPTION	QTY	Part No.	DESCRIPTION	QTY
71	Washer	1	72	Spring	1
73	Bush	2	74	Washer	1
75	Gasket	1	101	Locknut	1
102	Handle	1	103	Screw	1
104	Pin	1	105	Roller	1
106	Release Lever	1	107	Release Rod	1
108	Chain Connector	3	109	Chain	1
110	Eye Bolt	1	※111	Washer	1
112	Pendulum Arm	1	113	Pendulum Arm Nut	1
114	Positioner	1	115	Screw	5
116	Washer	2	117	Pin	1
118	Valve Insert	1	119	Seat	1
120	Screw	2	121	Gasket	2
122	Spring	2	123	Release Valve	2
124	Ball	2	125	Valve Insert	1
126	O-Ring	8	127	Spring	1
※128	O-Ring	1	129	Release Indicator	1
※130	Screw	1	131	Pump Piston	1
132	Guide Ring	1	133	Y-Ring	1
134	Washer	1	135	Snap Ring	1
136	Scraper Ring	2	137	O-Ring	2
138	Y-Ring	2	139	Pump Cylinder	1
140	O-Ring	1	141	Spring	1
142	Hi-pressure Piston	1	143	O-Ring	1
144	Ball	1	145	Spring	1
146	Adjusting Screw	1	147	Sealing Screw	1
148	Screw	1	149	Snap Ring	2
150	O-Ring	2	153	O-Ring	1
155	O-Ring	1	157	Screw	1
158	Air Screw	1	159	Cylinder	1
160	Pump Housing	1	161	Thrust Bearing	1

Part No.	DESCRIPTION	QTY	Part No.	DESCRIPTION	QTY
162	Ball	1	163	Snap Ring	1
164	Washer	1	170	Bush	2
171	Piston	1	172	Screw	1
173	Axle	1	174	Gasket	1
175	Lock Screw	1	176	Rubber Sleeve	1
177	Washer	1	178	Washer	5
180	Adjusting Screw	1	181	Handle Base	1
182	Adjusting Washer	1	183	Rubber Sleeve	1
184	Spring Guide	1	185	Screw	3
186	Spring Washer	3	187	lock Screw For Release Lever	1
188	Spring Socket	1	189	Spacer	2
190	Copper Piston	1	191	Snap Ring	1
192	Snap Ring	2	193	Spring	1
194	Pin	1	195	Ball	1
301	Bush	1	302	Back-Up ring	1
303	Y-Ring	1	304	Bush	1
305	Snap Ring	1	306	Piston Rod	1
307	Cylinder Head	1	308	Lifting Ram	1
300	Pump unit (incls.71,72,73,74,75,104,105,111,112,117,118,119,120,121,122,123,124,125,126,127,128,129,130,131,132,133,134,135,136,137,138,139,140,141,142,143,144,145,146,147,148,149,150,153,155,157,158,159,160,163,164,170,171,172,173,174,175,176,177,180,181,182,183,184,185,186,190,191,192,301,302,303,304,305,306,307,308)				1
50	Handle assembly (incls.101,102,103,106,107,108,109,110,113,114,115,116,178,187,188,189,193,194,195)				1
Remark: Parts with "※" mark are supplied together with the High Lifter and packed in the poly bags.					

\* VERSION TWO